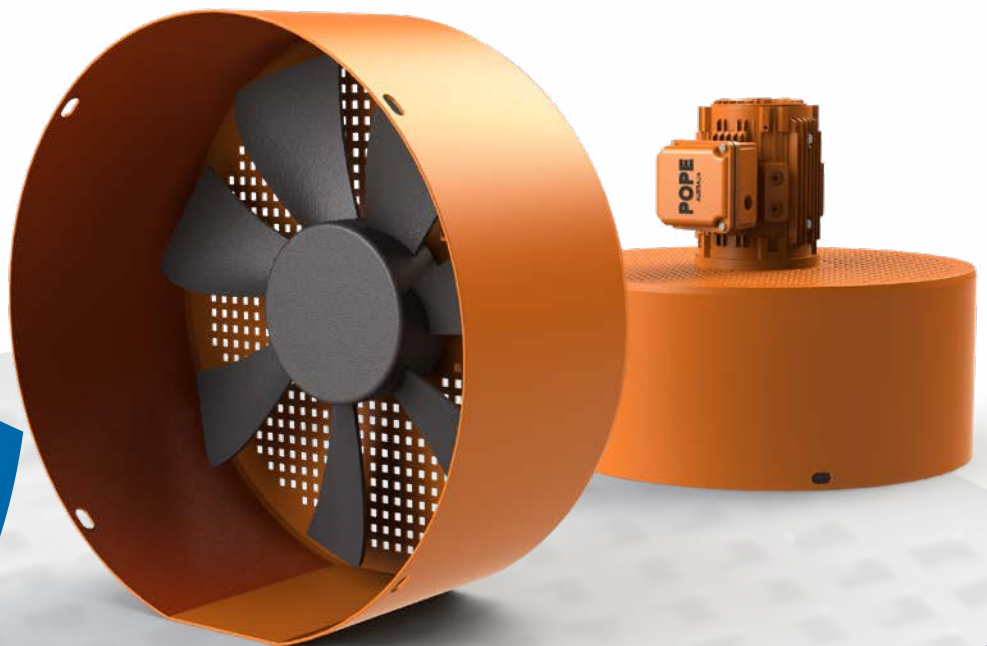


- QUALITY
- EASY FIT
- CONSTANT AIRFLOW
- QUIET OPERATION



# FORCED COOLING FAN

# G Series Varies Frequency Fan

**TABLE 1 OUTLINE & MOUNTING DIMENSIONS**

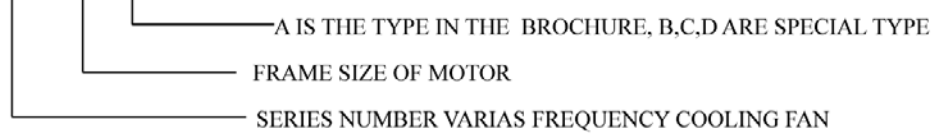
| TYPE  | D1  | D2  | L1 | L2  | L3  | $\delta$ | a | R   | n |
|-------|-----|-----|----|-----|-----|----------|---|-----|---|
| G80A  | 150 | 155 | 20 | 48  | 130 | 1.2      | 4 | 3   | 3 |
| G90A  | 170 | 175 | 20 | 76  | 160 | 1.5      | 4 | 3   | 3 |
| G100A | 186 | 193 | 20 | 81  | 160 | 1.5      | 5 | 3.5 | 3 |
| G112A | 200 | 217 | 22 | 76  | 160 | 1.5      | 5 | 3.5 | 3 |
| G132A | 250 | 258 | 20 | 85  | 178 | 1.5      | 5 | 3.5 | 3 |
| G160A | 300 | 314 | 24 | 92  | 195 | 2        | 5 | 3.5 | 4 |
| G180A | 300 | 352 | 40 | 138 | 230 | 2        | 5 | 3.5 | 4 |
| G200A | 380 | 393 | 40 | 150 | 273 | 2        | 6 | 4.5 | 4 |
| G225A | 400 | 443 | 45 | 156 | 300 | 2        | 6 | 4.5 | 4 |
| G250A | 460 | 482 | 55 | 180 | 324 | 2        | 6 | 4.5 | 4 |
| G280A | 520 | 546 | 65 | 167 | 377 | 2        | 9 | 5.5 | 4 |
| G315A | 580 | 614 | 75 | 175 | 385 | 2        | 9 | 5.5 | 4 |
| G355A | 680 | 694 | 82 | 185 | 400 | 2        | 7 | 6.5 | 4 |

**TABLE 2 G SERIES FAN SPECIFICATIONS**

| TYPE  | MOTOR             | POWER<br>w | SPEED<br>r/min | CAPACITY<br>m <sup>3</sup> /h | FORCE<br>Pa | NOISE<br>dB(A) | FLAKE DIA<br>mm |
|-------|-------------------|------------|----------------|-------------------------------|-------------|----------------|-----------------|
| G80A  | 3 Phase 380v 50Hz | 30         | 2300           | 330                           | 70          | 62             | 150             |
| G90A  | 3 Phase 380v 50Hz | 40         | 2800           | 500                           | 80          | 65             | 170             |
| G100A | 3 Phase 380v 50Hz | 52         | 2800           | 660                           | 82          | 67             | 186             |
| G112A | 3 Phase 380v 50Hz | 60         | 2730           | 900                           | 90          | 70             | 200             |
| G132A | 3 Phase 380v 50Hz | 80         | 1300           | 780                           | 50          | 70             | 250             |
| G160A | 3 Phase 380v 50Hz | 80         | 1350           | 1300                          | 50          | 70             | 300             |
| G180A | 3 Phase 380v 50Hz | 80         | 1350           | 1300                          | 55          | 70             | 300             |
| G200A | 3 Phase 380v 50Hz | 150-230    | 1350           | 2400                          | 100         | 70             | 380             |
| G225A | 3 Phase 380v 50Hz | 150-230    | 1350           | 4200                          | 150         | 74             | 400             |
| G250A | 3 Phase 380v 50Hz | 150-230    | 1350           | 4200                          | 150         | 77             | 460             |
| G280A | 3 Phase 380v 50Hz | 320        | 1250           | 5000                          | 150         | 77             | 520             |
| G315A | 3 Phase 380v 50Hz | 320        | 1250           | 6200                          | 180         | 80             | 580             |
| G355A | 3 Phase 380v 50Hz | 250/450    | 900/1350       | 4700/6500                     | 80/180      | 75/82          | 680             |

## EXPLANATION OF TYPE

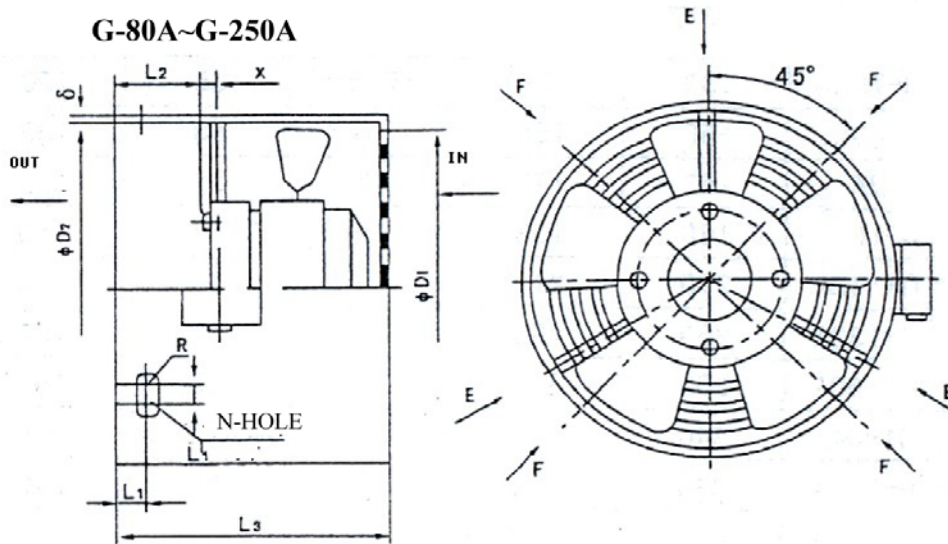
G - 100 A (B, C, D...)



### WORKING CONDITION:

TEMPERATURE: AMBIENT TEMPERATURE VARIES. B CLASS: -40~50°C, F CLASS: -40~80°C  
 HUMIDITY: THE RELATIVE AMBIENT HUMIDITY IS NOT OVER 90(TEMPERATURE IS 25°C)

## OUTLINE & DIMENSION DRAWINGS



NOTE: N=3, HOLES ON F POSITION. N=4, HOLES ON E POSITION

